



Steam traps shall be of the mechanical ball float type having cast iron bodies. NPT connections, and all stainless steel internals. Incorporated into the trap body shall be a stainless steel balanced pressure thermostatic air vent capable of withstanding 45°F(25°C) of superheat and resisting waterhammer without sustaining damage. Internals of the trap shall completely serviceable without disturbing the piping.



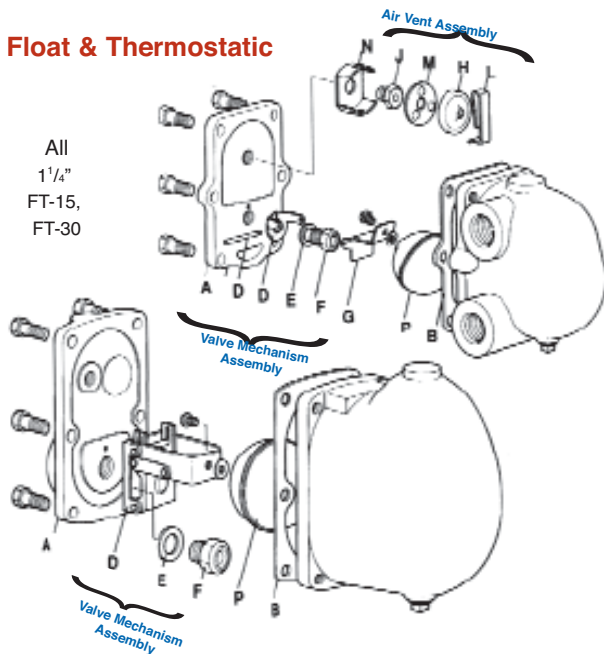
Float & Thermostatic Steam Trap Complete Replacement Kit #11

& Type	Trap Size	Catalog #
3/4" & 1" FT-15		SC505
1 1/4" FT-15		SC506
3/4" & 1" FT-30		SC508
1 1/4" FT-30		SC509
3/4" & 1" FT-75		SC510
3/4" & 1" FT-125		SC511

1 1/4" FT-15 Replacement module list \$160.00

Kit consists of:

Cover Gasket, Air Vent Assembly, Complete Valve Mechanism Assembly, Float (Stainless Steel) with Screw & Washer



All
1 1/4"
FT-15,
FT-30

Size		FT-15	FT-30	FT-75	FT-125	FT-150	FT-200
3/4"	Catalog #	SC201	SC206	SC211	SC216	SC221	SC225
1"	Catalog #	SC202	SC207	SC212	SC217	SC222	SC226
1 1/4"	Catalog #	SC203	SC208	SC213	SC218	SC223	SC227
1 1/2"	Catalog #	SC204	SC209	SC214	SC219	SC224	SC228
2"	Catalog #	SC205	SC210	SC215	SC220	—	—

Types FT or F*-15, 20, 30, 75 & 125; FTB-20

	Size	Catalog #	Valve Mech. Kit	Float Kit	Air Vent Kit	Gasket Kit
			D,E,F,G	P	H,J,L,M,N,	(Set of 3) E,B
FT-15	3/4" & 1"	Catalog #	SC570	SC584	SC569	SC589
	1 1/4"	Catalog #	SC571	SC585	SC569	SC589
1 1/2"	Catalog #	SC572	SC586	SC569	SC590	
2"	Catalog #	SC573	SC587	SC569	SC591	
FT-30	3/4" & 1"	Catalog #	SC570	SC585	SC569	SC589
	1 1/4"	Catalog #	SC574	SC585	SC569	SC589
1 1/2"	Catalog #	SC575	SC586	SC569	SC590	
2"	Catalog #	SC576	SC587	SC569	SC591	
FT-75	3/4" & 1"	Catalog #	SC577	SC585	SC569	SC589
	1 1/4" & 1 1/2"	Catalog #	SC578	SC586	SC569	SC590
2"	Catalog #	SC579	SC587	SC569	SC591	
FT-125	3/4" & 1"	Catalog #	SC580	SC585	SC569	SC589
	1 1/4" & 1 1/2"	Catalog #	SC581	SC586	SC569	SC590
2"	Catalog #	SC582	SC587	SC569	SC591	
FT-150 150 psi	2"	Catalog #	SC583	SC588	SC569	SC592

*F Series Traps have no air vent