



Steam traps shall be of the mechanical ball float type having cast iron bodies. NPT connections, and all stainless steel internals. Incorporated into the trap body shall be a stainless steel balanced pressure thermostatic air vent capable of withstanding 45°F(25°C) of superheat and resisting waterhammer without sustaining damage. Internals of the trap shall completely serviceable without disturbing the piping.



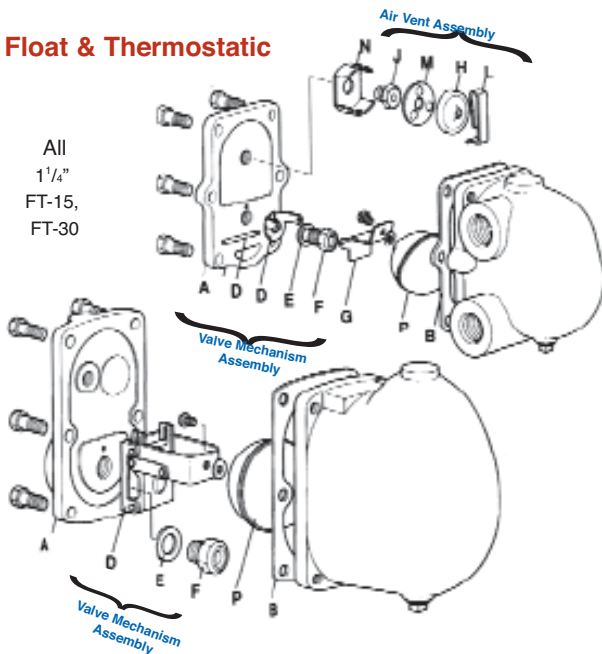
Float & Thermostatic Steam Trap Complete Replacement Kit #11

& Type	Trap Size	Catalog #
3/4" & 1" FT-15		SC505
1 1/4" FT-15		SC506
3/4" & 1" FT-30		SC508
1 1/4" FT-30		SC509
3/4" & 1" FT-75		SC510
3/4" & 1" FT-125		SC511

1 1/4" FT-15 Replacement module list \$160.00

Kit consists of:

Cover Gasket, Air Vent Assembly, Complete Valve Mechanism Assembly, Float (Stainless Steel) with Screw & Washer



All
1 1/4"
FT-15,
FT-30

Size		FT-15	FT-30	FT-75	FT-125	FT-150	FT-200
3/4"	Catalog #	SC201	SC206	SC211	SC216	SC221	SC225
1"	Catalog #	SC202	SC207	SC212	SC217	SC222	SC226
1 1/4"	Catalog #	SC203	SC208	SC213	SC218	SC223	SC227
1 1/2"	Catalog #	SC204	SC209	SC214	SC219	SC224	SC228
2"	Catalog #	SC205	SC210	SC215	SC220	—	—

Types FT or F*-15, 20, 30, 75 & 125; FTB-20

	Size	Catalog #	Valve Mech. Kit	Float Kit	Air Vent Kit	Gasket Kit
			D,E,F,G	P	H,J,L,M,N,	(Set of 3) E,B
FT-15	3/4" & 1"	Catalog #	SC570	SC584	SC569	SC589
	1 1/4"	Catalog #	SC571	SC585	SC569	SC589
1 1/2"	Catalog #	SC572	SC586	SC569	SC590	
2"	Catalog #	SC573	SC587	SC569	SC591	
FT-30	3/4" & 1"	Catalog #	SC570	SC585	SC569	SC589
	1 1/4"	Catalog #	SC574	SC585	SC569	SC589
1 1/2"	Catalog #	SC575	SC586	SC569	SC590	
2"	Catalog #	SC576	SC587	SC569	SC591	
FT-75	3/4" & 1"	Catalog #	SC577	SC585	SC569	SC589
	1 1/4" & 1 1/2"	Catalog #	SC578	SC586	SC569	SC590
2"	Catalog #	SC579	SC587	SC569	SC591	
FT-125	3/4" & 1"	Catalog #	SC580	SC585	SC569	SC589
	1 1/4" & 1 1/2"	Catalog #	SC581	SC586	SC569	SC590
2"	Catalog #	SC582	SC587	SC569	SC591	
FT-150 150 psi	2"	Catalog #	SC583	SC588	SC569	SC592

*F Series Traps have no air vent

STEAM RADIATOR TRAPS



APPLICATION: Used primarily for two pipe steam heating systems (vapor or vacuum). It removes air and condensate for radiators, convectors and fintube, as well as small risers. It requires no adjustment in service.

Size	Type	Body Pattern	VNS #	Pressure
1/2"	TA-125	Angle	SC366	V-125
	TH-25	Straightway	SC351	V-25
	TH-125	Straightway	SC350	V-125
	TV-125	Vertical	SC353	V-125
3/4"	TA-125	Angle	SC340	V-125
	TH-125	Straightway	SC352	V-125
	TV-125	Vertical	SC354	V-125
1"	TA-125	Angle	SC355	V-125

PHONE FOR PRICES ON PARTS

Angle Steam Traps*

Brass body renewable thermostat & seat.



25# Maximum
50# and 125# Available

Model	VNS #
17C 1/2"	HS311
8C 3/4"	HS314

Repair Kit
A1105-17C **HS486**
A1198-8C **HS488**

* Straightway also available.



TD-52 THERMO-DYNAMIC STEAM TRAP

Operates within a range of 3 1/2 through 600 psi and temperatures to 800°F.

Operates against back pressure up to 80% of inlet pressure.

SIZE	VNS #	PRICE
3/8"	SC331	
1/2"	SC332	
3/4"	SC333	
1"	SC334	

REPAIR PARTS			
3/8"	1/2"	3/4"	1"
#1 Cap			
#3 Disc.			

Series B-1* Bucket Traps

Drain Condensate and air from:

- Process Equipment
- Unit Heaters
- Steam Lines
- Steam Heated Vats
- Steam Cookers
- Pressing Machinery

Replaces
Old 600
Series



SIZE	B-1Trap
1/2"	B-1
3/4"	B-1

Specify seat desired -
30#-75#-125#-150#

Specify Trap Size and Pressure				
Trap No.	VNS#	Size	Item	Part Number
B-1A		1/2" & 3/4"	IP	A4153
B-1A	HS431	1/2" & 3/4"	BA	A4790
B-1A	HS436	1/2" & 3/4"	CG	A1865

Service Parts Series B-1

IP-Internal Parts Package w/Cover Gasket - Less Bucket Assembly
BA-Bucket Assembly
CG-Cover Gasket

MODEL: NIFT650-125-175-150#



NICHOLSON
STEAM TRAP

NFT650 Series Variable-Orifice Steam Traps

Pressures to 650 PSIG(44.8bar)
Temperatures to 750°F (400°C)

Construction Materials

Cast Steel body and cover.
All internals - stainless steel

Simplicity of Design and Operation

Erosion Proof

Discharge passage is protected with a stainless steel liner.

Integral Strainer

Stainless Steel screen prevents dirt problems. Blowdown connection provided.

Thermostatic Air Vent

Provided with bi-metal or full balanced pressure element for immediate and complete air venting.

Variable Orifice

Condensate is discharged continuously through the seat ring which is modulated by the float. This provides a smooth, even flow without high velocity or steam entrainment

Guarantee

Traps are guaranteed against defects in material or workmanship for 3 years.

MODEL: NIFT250-125-175-150#

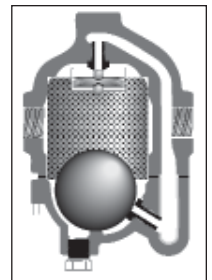
NICHOLSON
STEAM TRAP

NFT250 Series Variable-Orifice Steam Traps

Pressures to 250 PSIG(17.2 bar)
Temperatures to 450°F (232°C)

Construction Materials

Cast iron body and cover.
All internals - stainless steel



MODEL: NIFT650-125-175-150#

NICHOLSON
STEAM TRAP

Dura-Flo Inverted Bucket Steam Traps

Pressures to 250 PSIG(17.2 bar)
Temperatures to 450°F (232°C)



TA Series Thermostatic Steam Traps

Pressures to 650 PSI(44.8 bar)
Temperatures to 750°F (400°C)

Sealed Stainless Steel Body

Lightweight, compact and corrosion resistant. No Bolts or gaskets. Eliminates body leaks.

Self Centering Valve

Leak tight shutoff, Highest thermal efficiency. Assembly of actuator and valve to impingement plate allows valve to self-align with center of valve seat orifice. Provides long lasting valve and seat.

MODEL: NIFT600-125-175-150#

NICHOLSON
STEAM TRAP

NTD600 Series Thermo-active Steam Traps

Pressures to 600 PSI(41.3 bar)
Temperatures to 800°F (426°C)



Compact Design

Hardened stainless steel disc is the only moving part.

Inexpensive

Low initial cost is less expensive than repairable technologies.

Simplifies installation

Works in any position.

Rugged

Handles water hammer and superheat.

Reliable, Efficient Operation

Blast discharge helps to eliminate dirt build-up and provides tight shutoff.

Freeze resistant

Self draining design prevents freezing.

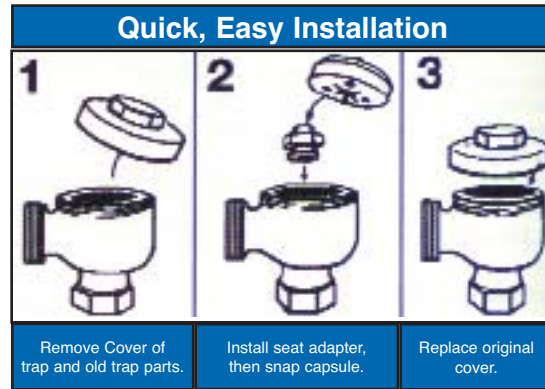
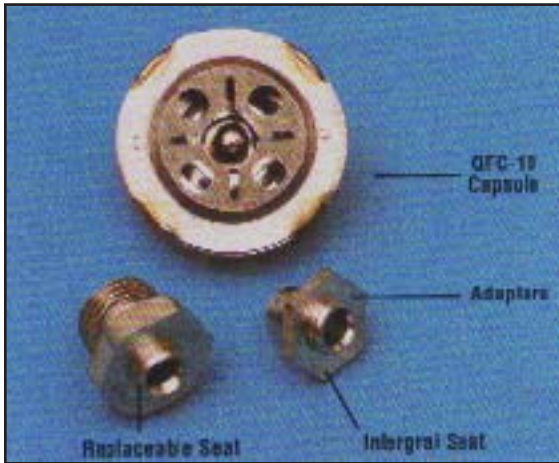
All Stainless Steel Construction

Resists both internal and external corrosion.

Easy to Monitor

Audible discharge cycle makes checking operation simple.

QUICK-FIX™ Radiator Steam Trap Replacement Kits



Once the Quick-Fix kits are installed, any subsequent trap repairs require only replacement of the capsule, which is the same for all trap kits.

QUICK-FIX Repair Kits for Steam Radiator Traps

Traps with Replaceable Seats					
Order Number	Model No.	Manufacturer	1/2" Traps	3/4" Traps	
WR220	QF-1	Warren Webster	02H, 02V, 502, 502V-1 702, 702V-1, 712, 902V	503, 703, 713	
WR221	QF-2	Warren Webster	512, 512H-1, 512-G-1 522, 522H, 522HB 712HB, 722HB	513, 533 523A, 523H-1**, 5236-1** 713HB, 733, 733HB 723A	
WR222	QF-3	Warren Webster	902H		
WR223	QF-4	Warren Webster		913A, 913H	
WR224	QF-5	Sarco	E, H, S65, TB25, TS25 T65	E, H, S65 TB25, TS25 T65	
		Erwel	R30		
		Illinois	1G	3GH	
		Trane	B1*		
		Marsh	1		
		Monash-Yonker	30		
WR225	QF-6	Hoffman	17C	8C	
WR226	QF-14	Marsh		2-4, 2-7	
WR227	QF-15	Sterling	7-50A		
WR228	QF-16	Trane		B3	
		Dunham-Bush		TH2A	
Traps with Integral Seats					
WR229	QF-7	Dunham-Bush	1B, 1C, 1E, V1B		
		Trane	B2		
		Sarco		T25	
WR230	QF-8	Sarco	T25		
		Hoffman	8		
WR231	QF-9	Illinois	1T, 2T		
WR232	QF-10	Barnes & Jones	122A, 122S, 3045		
WR233	QF-11	Barnes & Jones		134A, 134S	
WR234	QF-12	Trane	B1*		
WR235	QF-13	Trane		B3	
Replacement Air Vents for F&T Traps (15 and 30psi)					
WR236	QF-25	Sarco		Series FT 3/4" - 2"	
WR237	QF-26	Trane		686/55AL 3/4" - 1"	
Replacement Thermal Capsule Only					
WR238	QFC-10	ALL	ALL	ALL	

* Except Vertical Models.

**Old Style omits "-1" from symbol. for traps built since 1931 only.